

ANTEMO

Anlagen & Teilefertigung



AUSTRIAN AVIATION INDUSTRY
SUMMIT

04.10.2017

www.antemo.com



Facts

Company: Antemo GmbH

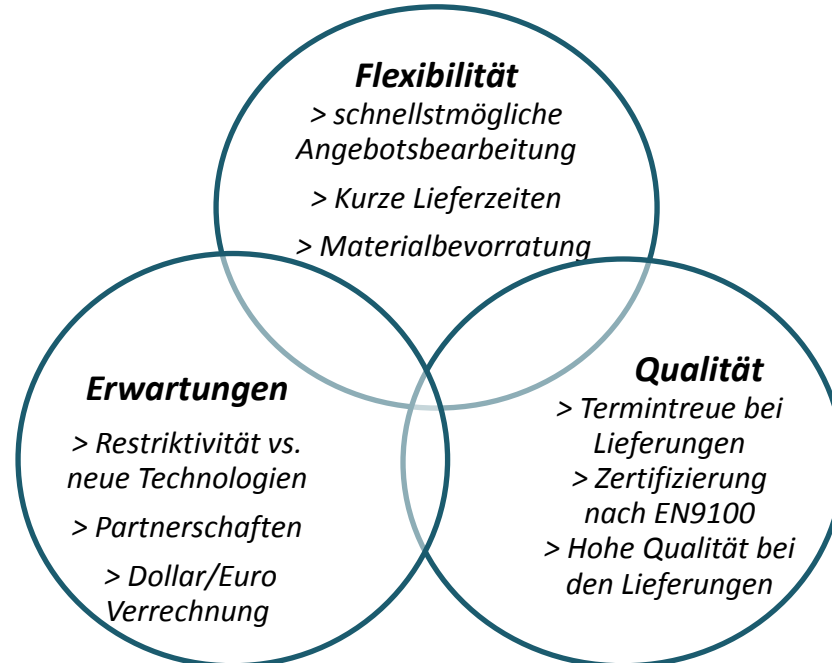
Location: Austria, 8753 – Wasendorf/Styria

Est.: 14.09.2000

CEO: Herbert Brunner

Employees: 12

Voraussetzungen für Aircraft Lieferanten – Erwartungen an Lieferanten

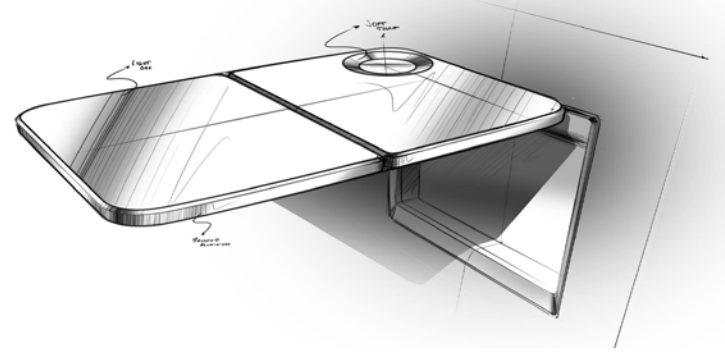
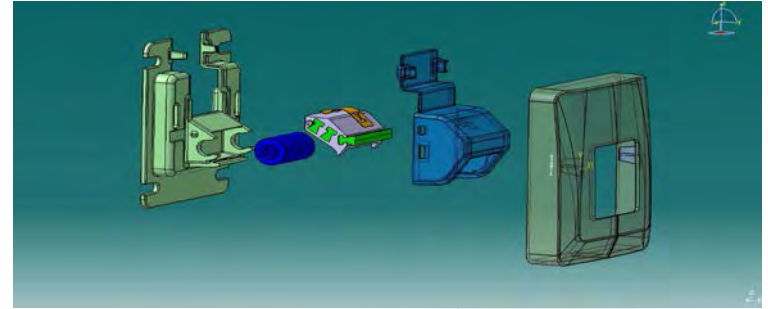


Zertifizierung nach EN 9100

 qualityaustria Succeed with Quality	 AUSTRIAN AERONAUTICS INDUSTRIES GROUP INTERESSENGEWESCHAFT DER ÖSTERREICHISCHEN LUFTFAHRTZULIEFERINDUSTRIE	
<h2>CERTIFICATE</h2>		
Quality Austria Trainings-, Zertifizierungs- und Begutachtungs GmbH awards this qualityaustria certificate to the following organisation:		This qualityaustria certificate confirms the compliance and further development of an effective
 ANTEMO Anlagen & Teilefertigung Gabelhoferstrasse 5 A-8753 Wasendorf/Fohnsdorf	Head Office: Antemo GmbH Anlagen & Teilefertigung Gabelhoferstrasse 5 A-8753 Wasendorf/Fohnsdorf	QUALITY MANAGEMENT SYSTEM complying with the requirements of standard EN 9100:2009 without product design (technically equivalent to AS 9100C and JISO 9100:2009) including the requirements of ISO 9001:2008
<small>Quality Austria Trainings-, Zertifizierungs- und Begutachtungs GmbH is accredited according to the Austrian Accreditation Act by the BMAW/ÖZ (Federal Ministry of Science, Research and Economics)</small>	<small>Quality Austria is accredited as an organisation for environmental verification by the BMAW/ÖZ (Federal Ministry of Agriculture, Forestry, Environment and Water Management)</small>	<small>Quality Austria is accredited by the VCA (Association of the automotive industry)</small>
<small>For accreditation registration details please refer to the applicable decisions or recognition documents</small>	<small>Quality Austria is the Austrian member of ISO and International Certification Networks</small>	<small>ISO 9001:2008</small>
<small>1409022-1121-4492-8798-21668020204</small>	<small>1409022-1121-4492-8798-21668020204</small>	<small>1409022-1121-4492-8798-21668020204</small>
<small>Production of highly complex components, assemblies and devices</small>	Certification Structure: single	<small>Certificate-Registration No.: 00033/0 Issue Date EN 9100: 17 November 2014 Issue Date ISO 9001: 17 November 2014 Expiry Date: 16 November 2017</small>
<small>The assessment was performed in compliance with EN9104-001:2013.</small>	<small>Reissue Date: 27 October 2015</small>	 
	<small>Quality Austria Trainings-, Zertifizierungs- und Begutachtungs GmbH, A-1010 Vienna, Zelinkagasse 10/3</small>	
	Signatures removed for security reasons	
<small>Konrad Scheiber General Manager</small>	<small>Gerald Perschler Specialist representative</small>	<small>Page 1 / 1</small>

Business Areas

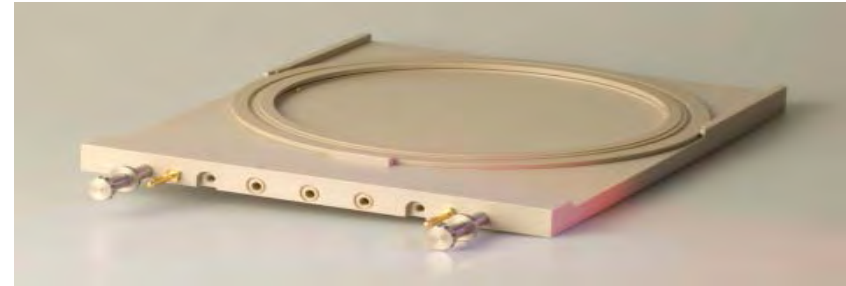
- *Engineering*



Business Areas

- *Aerospace & Aviation*

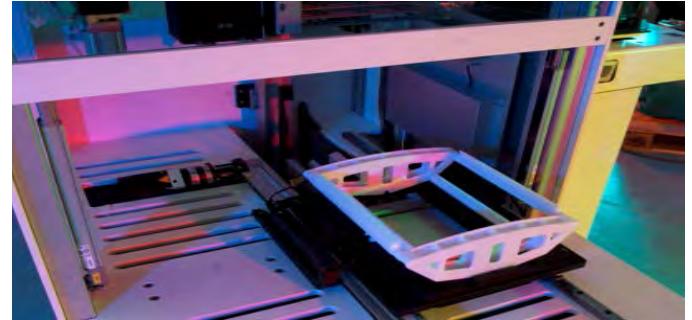
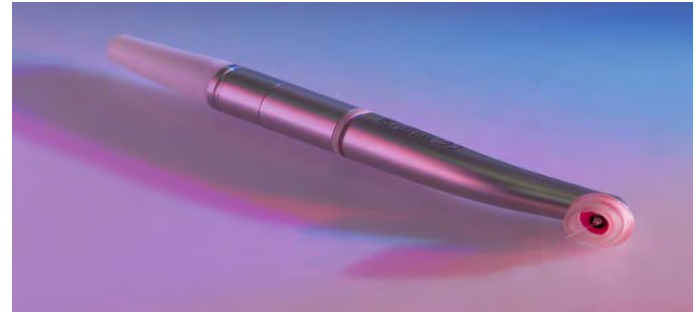
- *Semiconductor*



Business Areas

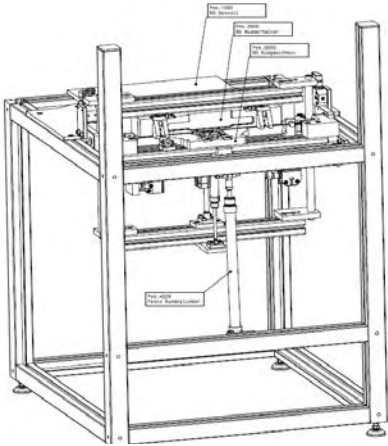
- *Medical Engineering*

- *Mechanical Construction & Engineering*

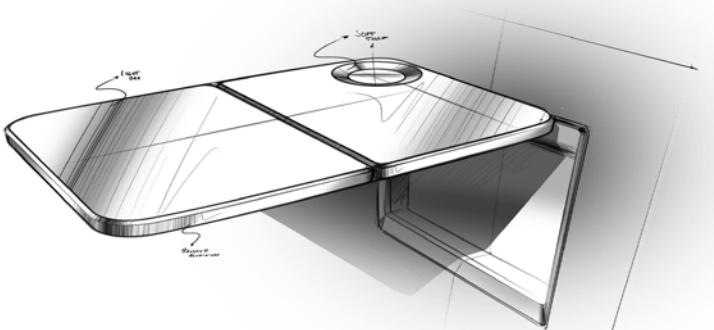
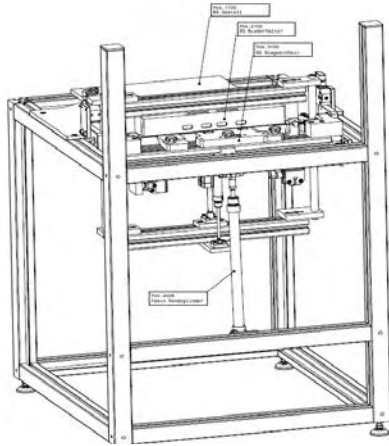


Engineering

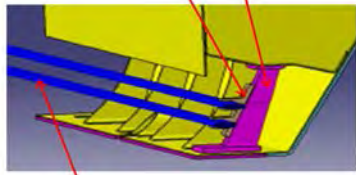
Pos.0000 BG Biegevorrichtung



Pos.0100 BG Biegevorrichtung

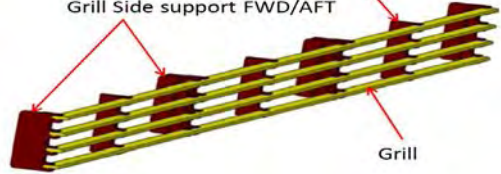


Middle Support ECS Grill
Support ECS Grill



Grill

Grill Middle support
Grill Side support FWD/AFT



Grill

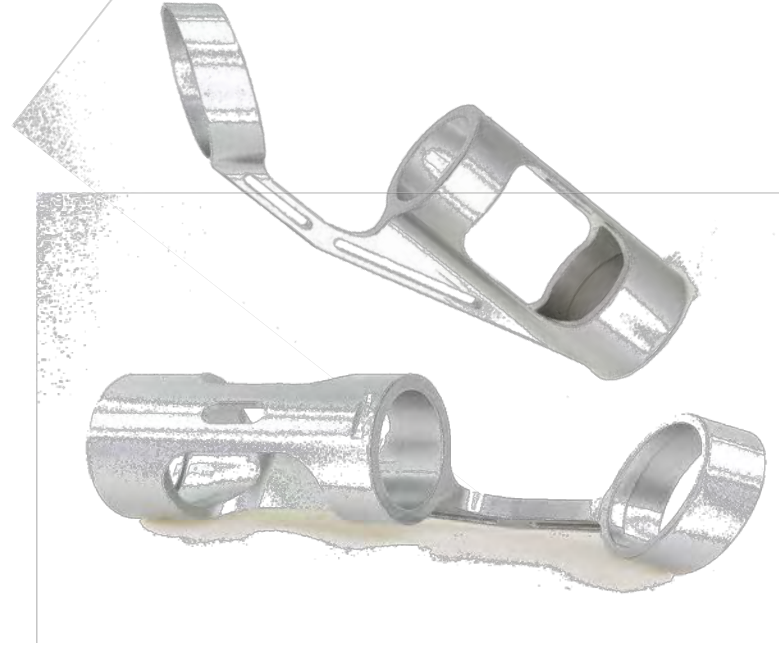
Inlays



Latches



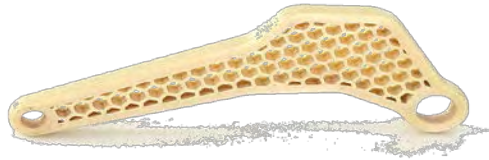
Galley Equipement/Fixtures



Cargo System Air Ambulance



FDM – Ultem 9085 / PEEK



Neubau Fa. Antemo



Baubeginn: April 2017

Fertigstellung: Dezember 2017

Bürofläche: ca. 300m²

Produktionsfläche: ca. 1000m²

